

The specification and/or appearance of the equipment described in this catalogue are subject to change without previous notice because of modification.

**GX-NE<sup>LAND</sup>**  
www.newlandchina.com



**GX-NE<sup>LAND</sup>**  
**NEWLAND**  
**MACHINERY CO.,LTD.**

ONLY FOR CUSTOMERS' DEMAND



**KEEP IN TOUCH**

Tel: +86-576-88538623 Fax: +86-576-88538623

Email: sales@newlandchina.com

Address: No.1515 East Fengnan Road, Jiaojiang, Taizhou, Zhejiang, China.



Taizhou Newland Machinery Co.,Ltd  
www.newlandchina.com



# ABOUT US

ONLY FOR CUSTOMERS' DEMAND

## TAIZHOU NEWLAND MACHINERY CO.,LTD

Taizhou Newland Machinery Co.,Ltd, Located in Taizhou, Zhejiang, one of China's top commercial and trade cities easily accessible either via sea, land or air, is an export-oriented developer, producer and distributor of gasoline/ diesel generator, water pump, high pressure washers, etc. The consistent quality and renovation styles of our products have contributed to the recognized reputation among our clients both at home and abroad.

By adhering to the quality policy claiming "Production quality is the base for the company's existence, customers satisfaction is the starting point as well as the destination of a company, and continual improving is the permanent aspiration of all employees". We are committed to constantly improving the business system and developing new products to cater for the most stringent demands of customers, echoed by our goodwill-based and service focused mission statement. Great importance has been attached to the improving of corporate management, the bring-in of competent employees, the building of staff team, and the increasing of employees' quality and safety awareness. We have obtained ISO9001 international quality certification in addition to GS, CE certifications and have satisfied the environmental-protection requirements of European PAH/ROHS standards.

We take production quality as our life, take goodwill as the base of development, take customers as our blood. Our flexible operation system has ensured the deepest and most extensive partnership with the most customers both in and outside China.



**GASOLINE HIGH PRESSURE WASHER**

01-10



**DIESEL HIGH PRESSURE WASHER**

11



**ELECTRIC HIGH PRESSURE WASHER**

12-18

**HOT WATER HIGH PRESSURE WASHER**

19



**PUMP**

20-22

**ACCESSORIES**

23-24

CE MD EMC EURO V



130A



130B

**Standard:**

- 1) 3HP 4-stroke OHV gasoline engine with oil sensor. Easy start.
- 2) Commercial grade direct drive cylinder axial pump.
- 3) Pump with thermal relief valve.
- 4) Pressure adjustable.
- 5) 8 inch rubber wheels for 130A.
- 6) Low pressure detergent injector.
- 7) Professional shockproof foot, low vibration, low noise.
- 8) Quick connect nozzle 0°, 15°, 25°, 40° and chemical nozzle.
- 9) Professional trigger gun with safety lock.
- 10) 2m water input hose with filter, 1m chemical input hose with filter.
- 11) 8m high pressure hose. (longer pressure hose optional).



**Cooperation brands**



**Optional**



MODEL	PUMP	MAX PRESSURE		FLOW RATE		POWER	DISPLACEMENT	R.P.M	G.W	DIMENSION	CONTAINER LOADING	
		Bar	PSI	LPM	GPM						CC	R.P.M
130A	P130	130	1900	6.5	1.7	3	98	3400	26	50*40*47.5	256	665
130B	P130	130	1900	6.5	1.7	3	98	3400	24	48*37*46	360	760

CE MD EMC EURO V



170A/180A



170B/180B

**Standard:**

- 1) 6.5HP 4-stroke OHV gasoline engine with oil sensor. Easy start.
- 2) Commercial grade direct drive cylinder axial pump. (aluminium and brass optional).
- 3) Pump with thermal relief valve and self-priming function.
- 4) Low pressure detergent injector.
- 5) Pressure adjustable.
- 6) Professional shockproof foot, low vibration, low noise.
- 7) 8inch rubber wheels for A, 10inch for B model.
- 8) Professional trigger gun with safety lock.
- 9) Quick connect nozzle 0°, 15°, 25°, 40° and chemical nozzle.
- 10) 2m water input hose with filter, 1m chemical input hose with filter.
- 11) 8m high pressure hose. (longer pressure hose optional).



**Cooperation brands**



**Optional**



MODEL	PUMP	MAX PRESSURE		FLOW RATE		POWER	DISPLACEMENT	R.P.M	G.W	DIMENSION	CONTAINER LOADING	
		Bar	PSI	LPM	GPM						CC	R.P.M
170A	P170	170	2500	9	2.4	6.5	196	3400	31	53*46.5*53	220	550
170B	P170	170	2500	9	2.4	6.5	196	3400	31	65*41*52	200	525
180A	P180	180	2600	9	2.4	6.5	196	3400	32	53*46.5*53	220	550
180B	P180	180	2600	9	2.4	6.5	196	3400	32	65*41*52	200	525

CE MD EMC EURO V



170C/180C



170D/180D

**Standard:**

- 1) 6.5HP 4-stroke OHV gasoline engine with oil sensor. Easy start.
- 2) Commercial grade direct drive cylinder axial pump. (aluminium and brass optional).
- 3) Pump with thermal relief valve and self-priming function.
- 4) Low pressure detergent injector.
- 5) Pressure adjustable.
- 6) Professional shockproof foot, low vibration, low noise.
- 7) Folding design for D model.
- 8) 2L detergent tank for D model.
- 9) 8inch rubble wheels for C model, 10inch for D model.
- 10) Professional trigger gun with safety lock.
- 11) Quick connect nozzle 0°, 15°, 25°, 40° and chemical nozzle.
- 12) 2m water input hose with filter, 1m chemical input hose with filter.
- 13) 8m high pressure hose. (longer pressure hose optional)



**Cooperation brands**



**Optional**



MODEL	PUMP	MAX PRESSURE		FLOW RATE		POWER	DISPLACEMENT	R.P.M	G W	DIMENSION	CONTAINER LOADING	
		Bar	PSI	LPM	GPM						20FT	40HQ
170C	P170	170	2500	9	2.4	6.5	196	3400	35	62*44*53.5	192	500
170D	P170	170	2500	9	2.4	6.5	196	3400	30.5	54*49*65	144	384
180C	P180	180	2600	9	2.4	6.5	196	3400	35	62*44*53.5	192	500
180D	P180	180	2600	9	2.4	6.5	196	3400	30.5	54*49*65	144	384

CE MD EMC EURO V



170NA/180NA



170NC/180NC

**Standard:**

- 1) 6.5HP 4-stroke OHV gasoline engine with oil sensor. Easy start.
- 2) Commercial grade direct drive cylinder axial pump. (aluminium and brass optional).
- 3) Pump with thermal relief valve and self-priming function.
- 4) Low pressure detergent injector.
- 5) Pressure adjustable.
- 6) Professional shockproof foot, low vibration, low noise.
- 7) Folding design for NC model.
- 8) 2L detergent tank.
- 9) 8inch rubble wheels for NA model, 12inch for NC model.
- 10) Professional trigger gun with safety lock.
- 11) Quick connect nozzle 0°, 15°, 25°, 40° and chemical nozzle.
- 12) 2m water input hose with filter, 1m chemical input hose with filter.
- 13) 8m high pressure hose. (longer pressure hose optional)



**Cooperation brands**



**Optional**



MODEL	PUMP	MAX PRESSURE		FLOW RATE		POWER	DISPLACEMENT	R.P.M	G W	DIMENSION	CONTAINER LOADING	
		Bar	PSI	LPM	GPM						20FT	40HQ
170NA	P170	170	2500	9	2.4	6.5	196	3400	30	52*43*53	220	575
170NC	P170	170	2500	9	2.4	6.5	196	3400	31.5	52*43*63	165	460
180NA	P180	180	2600	9	2.4	6.5	196	3400	32	52*43*53	220	575
180NC	P180	180	2600	9	2.4	6.5	196	3400	32.5	52*43*63	165	460

CE MD EMC EURO V



170E/180E



170NB/180NB

**Standard:**

- 1) 6.5HP 4-stroke OHV gasoline engine with oil sensor. Easy start.
- 2) Commercial grade direct drive cylinder axial pump. (aluminium and brass optional).
- 3) Pump with thermal relief valve and self-priming function.
- 4) Low pressure detergent injector.
- 5) Pressure adjustable.
- 6) Professional shockproof foot, low vibration, low noise.
- 7) 6L big detergent tank
- 8) 10inch rubber wheels for E model, 12inch plastic wheels for NB model.
- 9) Professional trigger gun with safety lock.
- 10) Quick connect nozzle 0°, 15°, 25°, 40° and chemical nozzle.
- 11) 2m water input hose with filter, 1m chemical input hose with filter.
- 12) 20m high pressure hose. (longer pressure hose optional )



**Cooperation brands**



**Optional**



MODEL	PUMP	MAX PRESSURE		FLOW RATE		POWER	DISPLACEMENT	G.W	DIMENSION	CONTAINER LOADING	
		Bar	PSI	LPM	GPM					HP	CC
170E	P170	170	2500	9	2.4	6.5	196	38	84*43*58	140	280
170NB	P170	170	2500	9	2.4	6.5	196	38	84*45*53.5	140	350
180E	P180	180	2600	9	2.4	6.5	196	40	84*43*58	140	280
180NB	P180	180	2600	9	2.4	6.5	196	39	84*45*53.5	140	350

CE MD EMC EURO V



200A/250A



200B/250B

**Standard:**

- 1) 4-stroke OHV gasoline engine with oil sensor. Easy start.
- 2) Commercial grade brass cylinder-power coated ceramic plunger triplex direct drive pump.
- 3) Pressure adjustable.
- 4) Low pressure detergent injector.
- 5) Pump with thermal relief valve.
- 6) 10inch rubber wheels.
- 7) Professional trigger gun with safety lock.
- 8) Quick connect nozzle 0°, 15°, 25°, 40° and chemical nozzle.
- 9) 2m water input hose with filter, 1m chemical input hose with filter.
- 10) 10m high pressure hose. (longer pressure hose optional ).



**Cooperation brands**



**Optional**



MODEL	PUMP	MAX PRESSURE		WATER FLOW		GASOLINE ENGINE			G.W	PACKING DIMENSION	CONTAINER LOADING	
		BAR	PSI	LPM	GPM	HP	CC	R.P.M			KG	L*W*H(CM)
200A	PG200	200	2900	15	4	13	389	3400	50	72*58*62	90	240
200B	PG200	200	2900	15	4	13	389	3400	62.5	77*53*62	99	264
250A	PG250	275	4000	15	4	15	407	3400	58	72*58*62	90	240
250B	PG250	275	4000	15	4	15	407	3400	70.5	77*53*62	99	264

CE MD EMC EURO V  <69dB NOISE LEVEL 



G150A



G150B

**Standard:**

- 1) 6.5HP 4-stroke OHV gasoline engine with oil sensor. Easy start.
- 2) Commercial grade brass cylinder-power coated ceramic plunger triplex direct drive pump.
- 3) Pressure adjustable.
- 4) Low pressure detergent injector.
- 5) Pump with thermal relief valve.
- 6) Professional shockproof foot, low vibration, low noise.
- 7) 10 inch durable wheels.
- 8) Professional trigger gun with safety lock.
- 9) Quick connect nozzle 0°, 15°, 25°, 40° and chemical nozzle.
- 10) 2m water input hose with filter, 1m chemical input hose with filter.
- 11) 10m high pressure hose. (longer high pressure hose optional).



**Cooperation brands**



**Optional**



MODEL	PUMP	MAX PRESSURE		WATER FLOW		GASOLINE ENGINE		GW	PACKING DIMENSION	CONTAINER LOADING	
		BAR	PSI	LPM	GPM	HP	R.P.M			L*W*H(CM)	20FT
G150A	PG200	170	2500	14	3.7	6.5	3400	36	65*41*52	200	525
G150B	PG200	170	2500	14	3.7	6.5	3400	43	68*42*62	135	360

CE MD EMC EURO V  <69dB NOISE LEVEL 



170V



**Standard:**

- 1) 6.5HP 4-stroke gasoline engine with oil sensor. Easy start.
- 2) Commercial grade vertical pump.
- 3) Low pressure detergent injector.
- 4) 2L detergent tank.
- 5) Pressure adjustable.
- 6) pump with thermal relief valve.
- 7) Professional shockproof foot, low vibration, low noise.
- 8) 12inch big plastic wheels.
- 9) Professional trigger gun with safety lock.
- 10) 2m water input hose with filter, 1m chemical input hose with filter.
- 11) Quick connect nozzle 0°, 15°, 25°, 40° and chemical nozzle.
- 12) 20m high pressure hose. (longer high pressure hose optional).



**Cooperation brands**



**Optional**



MODEL	PUMP	MAX PRESSURE		WATER FLOW		GASOLINE ENGINE			GW	PACKING DIMENSION	CONTAINER LOADING	
		BAR	PSI	LPM	GPM	HP	CC	R.P.M			L*W*H(CM)	20FT
170V	Vertical pump	170	2500	9	2.4	6.5	196	3400	35	56.5*55.5*62	120	336

CE MD EMC EURO V



Drain Cleaner



Standard:

- 1) Drain cleaner high pressure washer.
- 2) Strong gasoline engine with easy start.
- 3) Pump with big pressure and flow rate, meet different cleaning demand.
- 4) Pressure gauge.
- 5) Safety valve.
- 6) Sewer clean nozzle.
- 7) Four durable wheels.
- 8) 50m high pressure hose. (longer pressure hose optional)



MODEL	WATER FLOW		PRESSURE		GASOLINE ENGINE			PACKING DIMENSION
	LPM	BAR	KW	HP	RPM	LxWxH(CM)		
NL2135	21	350	15	22	1450	120*85*134		
NL4020	40	200	15	22	1450	120*85*134		
NL5015	50	150	15	22	1450	120*85*134		

CE MD EMC EURO V



G22 G24

Standard:

- 1) Powerful pressure washer series.
- 2) Strong gasoline engine with 1450rpm.
- 3) Pressure adjustable
- 4) Pressure gauge
- 5) Safety valve
- 6) Four different nozzles
- 7) Professional trigger gun with safety lock
- 8) 25m 8mm high pressure hose



Cooperation brands



Optional



MODEL	MAX PRESSURE		FLOW RATE	POWER	R.P.M	G. W.	DIMENS
	BAR	PSI	LPM	HP	R.P.M	Kg	LxWxH(CM)
G22	400	5800	22	22	1450	200	122*86*136
G24	600	8700	15	24	1450	200	122*86*136

CE MD EMC EURO V



NOISE LEVEL



200DEA/250DEA



200DEB/250DEB

**Standard:**

- 1) Single-cylinder, 4 stroke air-cooled diesel engine.
- 2) Commercial grade brass cylinder-power coated ceramic plunger triplex direct drive pump.
- 3) Pump with thermal relief valve.
- 4) Low pressure detergent injector.
- 5) Pressure adjustable.
- 6) Quick connect nozzle 0°, 15°, 25°, 40° and chemical nozzle.
- 7) Professional trigger gun with safety lock.
- 8) 10inch rubber wheels.
- 9) 2m water input hose with filter, 1m chemical input hose with filter.
- 10) 10m high pressure hose. (longer pressure hose optional).



**Optional**



MODEL	PUMP	MAX PRESSURE		WATER FLOW		DIESEL ENGINE			G W	PACKING DIMENSION	CONTAINER LOADING	
		BAR	PSI	LPM	GPM	HP	CC	R.P.M			L*W*H(CM)	20FT
200DEA	PG200	200	2900	15	4	6	296	3400	60	76*58*62	90	240
200DEB	PG200	200	2900	15	4	6	296	3400	83	84*53*66	87	232
250DEA	PG250	275	4000	15	4	10	418	3400	70	76*58*62	90	240
250DEB	PG250	275	4000	15	4	10	418	3400	93	84*53*66	87	232

CE MD EMC EURO V



1508B

1508B	1000W	1300W	1500W
MOTOR TYPE	INDUCTION MOTOR		
WORKING PRESSURE	6MPa	7MPa	9MPa
MAX PRESSURE	9MPa	10.5MPa	14MPa
FLOW	6.7L/Min		
VOLTAGE	220-240V/50HZ		
G.W	9.5kgs	10kgs	11.5kgs
PACKING SIZE	42.5*26.5*31.5cm		



1508D

1508D	1000W	1300W	1500W
MOTOR TYPE	INDUCTION MOTOR		
WORKING PRESSURE	6MPa	7MPa	9MPa
MAX PRESSURE	9MPa	10.5MPa	14MPa
FLOW	6.7L/Min		
VOLTAGE	220-240V/50HZ		
G.W	9.5kgs	10kgs	11.5kgs
PACKING SIZE	42.5*26.5*31.5cm		



1508E

1508E	1000W	1300W	1500W
MOTOR TYPE	INDUCTION MOTOR		
WORKING PRESSURE	6MPa	7MPa	9MPa
MAX PRESSURE	9MPa	10.5MPa	14MPa
FLOW	6.7L/Min		
VOLTAGE	220-240V/50HZ		
G.W	9.5kgs	10kgs	11.5kgs
PACKING SIZE	42.5*26.5*31.5cm		

**Standard:**

- 1) Durable induction motor.
- 2) Pressure washer with auto stop.
- 3) 1pc adjustable gun.
- 4) 6m pressure hose.
- 5) 1.8m inlet hose with filter.
- 6) One quick connector.
- 7) 3m electric cord.



CE MD EMC EURO V 



1508G

**Standard:**

- 1) Durable induction motor
- 2) Pressure washer with auto stop
- 3) 1pc adjustable gun
- 4) 6m outlet hose
- 5) 3m electric cord
- 6) 1.8m inlet hose with water filter
- 7) One quick connector

1508G	1300W	1500W
MOTOR TYPE	INDUCTION MOTOR	
WORKING PRESSURE	7MPa	9MPa
MAX PRESSURE	10.5MPa	14MPa
FLOW	6.7L/Min	
VOLTAGE	220-240V/50HZ	
G.W	10kgs	11.5kgs
PACKING SIZE	42.5*26.5*31.5cm	



1508H

**Standard:**

- 1) Durable induction motor
- 2) Pressure washer with auto stop
- 3) 1pc adjustable gun
- 4) 6m outlet hose
- 5) 3m electric cord
- 6) 1.8m inlet hose with water filter
- 7) One quick connector

1508H	1500W
MOTOR TYPE	INDUCTION MOTOR
WORKING PRESSURE	9MPa
MAX PRESSURE	14MPa
FLOW	6.7L/Min
VOLTAGE	220-240V/50HZ
G.W	11.5kgs
PACKING SIZE	42.5*26.5*31.5cm

CE MD EMC EURO V 



1508A

**Standard:**

- 1) Durable induction motor
- 2) Pressure washer with auto stop
- 3) 1pc adjustable gun
- 4) 6m outlet hose
- 5) 5m electric cord
- 6) 1.8m inlet hose with water filter
- 7) One quick connector
- 8) One soap bottle



1508A	1000W	1300W	1500W	1800W
MOTOR TYPE	INDUCTION MOTOR			
WORKING PRESSURE	6MPa	7MPa	9MPa	11MPa
MAX PRESSURE	9MPa	10.5MPa	14MPa	16MPa
FLOW	6L/Min			
VOLTAGE	220-240V/50HZ			
G.W	12.5kgs	13kgs	13.5kgs	14.5kgs
PACKING SIZE	32*31.5*54cm			



1808A

**Standard:**

- 1) Durable induction motor
- 2) Pressure washer with auto stop
- 3) 1pc adjustable gun
- 4) 6m outlet hose
- 5) 5m electric cord
- 6) 1.8m inlet hose with water filter
- 7) One quick connector
- 8) One soap bottle



1808A	1000W	1300W	1500W	1800W
MOTOR TYPE	INDUCTION MOTOR			
WORKING PRESSURE	6MPa	7MPa	9MPa	11MPa
MAX PRESSURE	9MPa	10.5MPa	14MPa	16MPa
FLOW	6L/Min			
VOLTAGE	220-240V/50HZ			
G.W	12.8kgs	13.3kgs	13.8kgs	14.8kgs
PACKING SIZE	32*31.5*54cm			

CE MD EMC EURO V 



ES1.8-2

**Standard:**

- 1) Electric high pressure washer with SINGLE PHASE.
- 2) Strong power induction motor with overload protection, copper wire.
- 3) Plastic housing, providing a good protection for motor.
- 4) Commercial grade brass cylinder-power coated ceramic plunger triplex direct drive pump.
- 5) Pressure adjustable.
- 6) Specified voltage and frequency on & off control box with water proof design.
- 7) Pressure gauge.
- 8) 8 inch plastic wheels.
- 9) Four different nozzles, 0°, 15°, 25° & 40° nozzles.
- 10) Short high pressure trigger gun.
- 11) 2m inlet hose with filter.
- 12) 8m high pressure hose (longer high pressure hose optional).

MODEL	ES1.8-2	
ELECTRIC MOTOR	POWER	1.8KW
	VOLTAGE	220V50HZ
	SPEED	2800RPM
HIGH PRESSURE WASHER	MAX PRESSURE	130BAR
	FLOW RATE	6.5LPM
	G.W.	38kgs
	SIZE (L*W*H)	600*430*470mm
	20FT	240pcs
	40HQ	500pcs

CE MD EMC EURO V 



ES2.2-2 ES3-2 ES2.2-4 ES3-4

**Standard:**

- 1) Electric high pressure washer with SINGLE PHASE.
- 2) Strong power induction motor with overload protection, copper wire.
- 3) Strong stainless steel housing, providing good protection for whole machine.
- 4) Commercial grade brass cylinder-power coated ceramic plunger triplex direct drive pump.
- 5) Pressure adjustable.
- 6) 10inch rubble wheels.
- 7) Pressure gauge.
- 8) Specified voltage and frequency on & off control box with water proof design.
- 9) Four different nozzles 0°, 15°, 25° & 40° nozzles.
- 10) Professional high pressure trigger gun with safety lock.
- 11) 10m high pressure hoses. (longer high pressure hose optional)



**Optional**



MODEL	PUMP	ELECTRIC MOTOR			HIGH PRESSURE WASHER					
		POWER	VOLTAGE	SPEED	MAX PRESSURE	FLOW RATE	G.W.(kg)	SIZE(L*W*H)	20FT	40HQ
ES2.2-2	PE180	2.2KW	220V50HZ	2800RPM	130BAR	12.6LPM	47	78*48*38cm	216PCS	432PCS
ES3-2	PE180	3KW	220V50HZ	2800RPM	150BAR	12.6LPM	49	78*48*38cm	216PCS	432PCS
ES2.2-4	PE200	2.2KW	220V50HZ	1450RPM	130BAR	12.6LPM	57	78*48*38cm	216PCS	432PCS
ES3-4	PE200	3KW	220V50HZ	1450RPM	150BAR	12.6LPM	69	78*48*38cm	216PCS	432PCS

CE MD EMC EURO V 



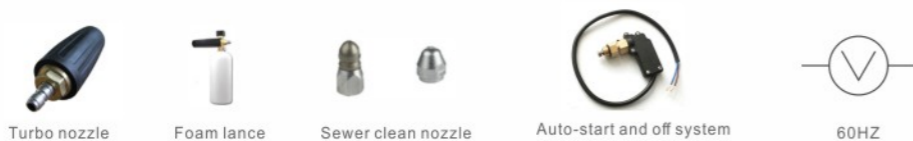
ET4-4 ET5.5-4 ET7.5-4

**Standard:**

- 1) Electric high pressure washer with THREE PHASES.
- 2) Strong power induction motor with copper wire and overload protection.
- 3) Strong stainless steel housing, providing good protection for whole machine.
- 4) Commercial grade brass cylinder-power coated ceramic plunger triplex direct drive pump.
- 5) Pressure adjustable
- 6) Specified voltage and frequency on & off control box with water proof design
- 7) Pressure gauge
- 8) Four different nozzles, 0°, 15°, 25° and 40° nozzles.
- 9) 10m high pressure hose
- 10) 10inch rubble wheels
- 11) Professional trigger gun with safety lock
- 12) 2m inlet hose with filter



**Optional**



MODEL	PUMP	ELECTRIC MOTOR			HIGH PRESSURE WASHER					
		POWER	VOLTAGE	SPEED	MAX PRESSURE	FLOW RATE	G.W.(kg)	SIZE(L*W*H)	20FT	40HQ
ET4-4	PE250	4KW	380V50HZ	1450RPM	220BAR	12.6LPM	69	78*48*38cm	216PCS	432PCS
ET5.5-4	PE250	5.5KW	380V50HZ	1450RPM	250BAR	12.6LPM	85	88*49*45cm	112PCS	244PCS
ET7.5-4	PE250	7.5KW	380V50HZ	1450RPM	275BAR	15LPM	88	88*49*45cm	112PCS	244PCS

CE MD EMC EURO V 



E11 15

**Standard:**

- 1) Electric high pressure washer with THREE PHASES
- 2) Strong power QUADRUPOLE MOTOR with overload protection
- 3) Pressure adjustable
- 4) Pressure gauge
- 5) Four different nozzles
- 6) 12inch durable wheels
- 7) Professional trigger gun with safety lock
- 8) 25m 8mm high pressure hose

**Standard:**

- 1) Electric high pressure washer with THREE PHASES
- 2) Strong power QUADRUPOLE MOTOR with overload protection
- 3) Pressure adjustable
- 4) Pressure gauge
- 5) Four different nozzles
- 6) 12inch durable wheels
- 7) Professional trigger gun with safety lock
- 8) 25m 8mm high pressure hose



E22

MODEL	POWER(KW)	VOLTAGE	RPM	MAX PRESSURE(BAR/PSI)		FLOW RATE(LPM/GPM)		GW (KGS)	DIMENSION (cm)
ET11	11	380V 50HZ	1450	350	5075	15	4	375	
ET15	15			400	5800	22	6	378	
ET22	22			600	8700	22	6	380	

CE MD EMC EURO V



NL2.2/3/4/5.5/7.5

**HOT WATER  
HIGH PRESSURE  
WASHER**

**Standard:**

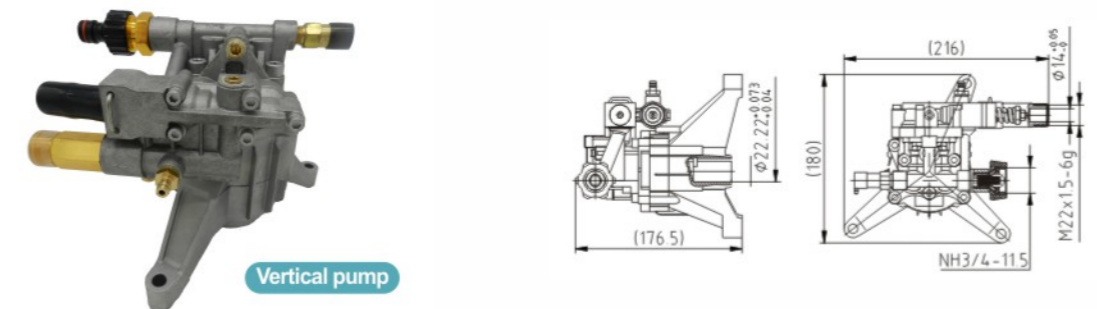
- 1) High performance motor.
- 2) High quality professional brass head crankshaft pump, including safety valve; pressure indicator; temperature control device and easy start device.
- 3) 15m steel wire high pressure hose safe to use.
- 4) 12inch big wheels.
- 5) Strong and durable frame with surface spray treatment.
- 6) High quality heating furnace, maximum output water temperature with 90°C.
- 7) Special made trigger high pressure gun for hot water with safety lock.

MODEL	MAX PRESSURE		WATER FLOW		MOTOR		GW	PACKING DIMENSION
	BAR	PSI	LPM	GPM	POWER	VOLTAGE		
NL2.2	100	1450	14	3.7	2.2KW	220V	115	1100*820*900
NL3	150	2200	15	4	3KW	380V	116	1100*820*900
NL4	180	2600	15	4	4KW	380V	118	1100*820*900
NL5.5	250	3600	16	4.2	5.5KW	380V	120	1100*820*900
NL7.5	270	3900	16	4.2	7.5KW	380V	122	1100*820*900

CE MD EMC EURO V

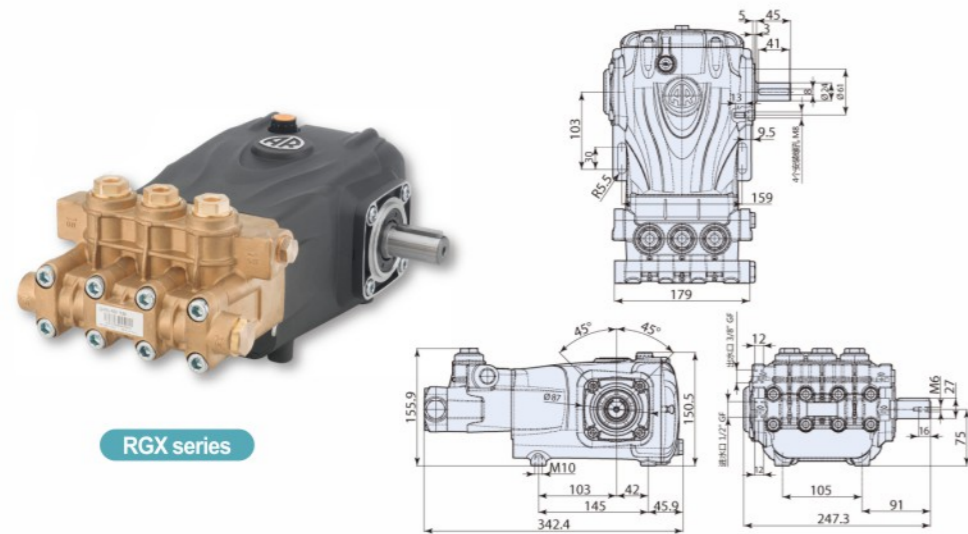


MODEL	MAX PRESSURE (Bar/PSI)		FLOW RATE (LPM/GPM)		RPM	SHAFT DIAMETER	INLET CONNECTOR	OUTLET CONNECTOR	G.W (KG)
P170.1 P170.2	190	2755	9	2.38	3400	16/19.05	Quick connector	M22-inside diameter 14mm	2.3
P180.1	200	2900	9	2.38	3400	19.05			3.2
P180.2	190	2755	9	2.38	3400	19.05	M22-inside diameter 14mm		3.5

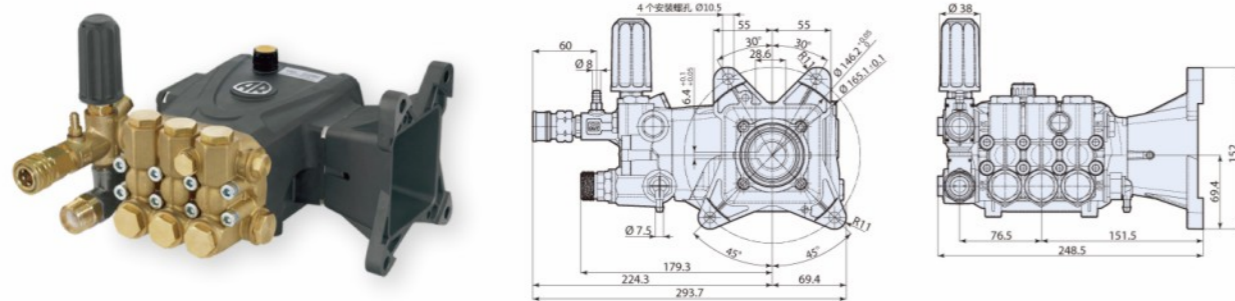


MODEL	PRESSURE		OUTPUT		R.P.M	ENGINE POWER		NOZZLE SIZE
	PSI	BAR	GPM	LPM		HP	KW	
PWV(R)20/2.0	2000	140	1.8	6.8	3500	4	2.3	025
PWV(R)24/2.4H	2400	165	2.16	8.2	3500	5.5	3.2	029
PWV(R)25/2.3	2500	170	2.07	7.8	3500	5.5	3.2	027
PWV(R)28/2.5H	2800	190	2.25	8.5	3500	6.5	3.8	029

CE MD EMC EURO V 



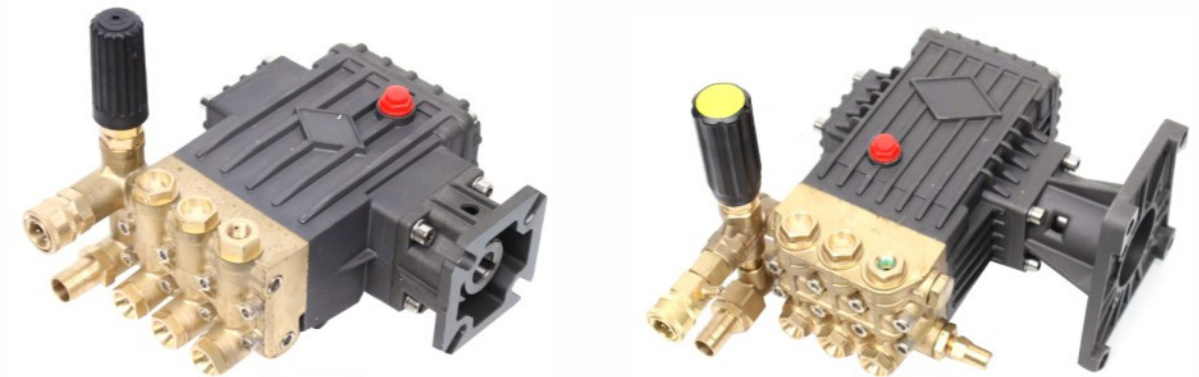
RGX series



RRV 4G36D+F41+VRZ1D

MODEL	FLOW		PRESSURE		GASOLINE POWER		WEIGHT	RPM
	LPM	GPM	BAR	PSI	HP	KW		
RGX 10.35N	10	2.64	350	5100	10	7.5	16	1450
RGX 15.35N	15	3.96	350	5100	15	11	16	1450
RGX 22.35N	22	5.8	350	5100	20	15	16	1450
RGX 10.50N	10	2.64	500	7250	14	10.4	16	1450
RGX 15.50N	15	3.96	500	7250	20	15	16	1450
RGX 22.50N	22	5.8	500	7250	27	20	16	1450
RRV 4G36D+F41+VRZ1D	15.1	4	250	3600	13	9.6	9	3400

CE MD EMC EURO V 



PG200

PG250

MODEL	MAX PRESSURE (Bar/PSI)		FLOW RATE (LPM/GPM)		RPM	SHAFT DIAMETER	INLET CONNECTOR	OUTLET CONNECTOR	G.W (KG)	DIMENSION (MM)
PG200	220	3200	15	3.96	3400	19.05/25.4	Quick connector	M22-inside diameter 14mm	7	390*270*250
PG250	275	4000	15/18	3.96/4.76	3400	25.4		3/8 brass quick connect	9	390*270*250



PE180

PE200

PE250

MODEL	MAX PRESSURE (Bar/PSI)		FLOW RATE (LPM/GPM)		RPM	SHAFT DIAMETER	INLET CONNECTOR	OUTLET CONNECTOR	G.W (KG)	DIMENSION (MM)
PE180	200	2900	12.6	3.4	2800	24	Quick connector	M22-inside diameter 14mm	5	360*180*200
PE200	220	3200	12.6	3.4	1450	24/28		M22-inside diameter 14mm	7	360*180*200
PE250	275	4000	12.6/15	3.4/ 3.96	1450	28		3/8 brass quick connect	9	360*180*200

CE MD EMC EURO V



MODEL	MAX PRESSURE	OD	INLET		OUTLET	
	PSI	mm				
NL-H01	5800	11	M22*1.5		M14*1.5-M	
NL-H02	11000	14	M22*1.5		M14*1.5-M	
NL-H03	14000	14	3/8-M	M22*1.5	3/8-F	M14*1.5-M
NL-H04	14000	18	3/8-M		3/8-F	



G01:  
Max pressure: 2900PSI/200BAR  
Max temperature: 60C/140F  
Max flow: 15LPM/4GPM

G02:  
Max pressure: 4000PSI/275BAR  
Max temperature: 60C/140F  
Max flow: 18LPM/6GPM

G03:  
MAX PRESSURE: 345BAR  
WEIGHT: 1.66KG  
INLET: M22\*1.5



SOAP BOTTLE 1L  
Turbo Nozzle Max pressure 3000PSI  
Turbo nozzle Max pressure 4000PSI

stainless high pressure nozzles

sewer clean nozzle



J spray gun lance

U spray gun lance

Water broom

Surface cleaner

surface cleaner.1

surface cleaner.2

CE MD EMC EURO V



18" water seal kit

18" water seal kit

bearing

inlet and outlet screw



bolt-on unloader-internal bypass model

brass cylinder

check valve component

plunger oil seal



connecting rod and plunger

crank case cover

crank shaft oil seal

quick connector



crank shaft

crankcase

gasket locating ring

water outlet cone valve



inlet connector

joint unloader

pressure gauge adapter

pressure regulator valve